

3RSYSTEM PC Case Instruction Manual

◆ Package Contents



Instruction Manual



Screw Bag



PCI Slot Covers



Speaker

- ① Motherboard Mounting Studs: Use only where required. Apply paper washers.
- ② Screws (3.5 ϕ): Use this screw to mount/secure HDD, PSU and other peripheral cards.
- ③ Screws (3 ϕ): Use this screw to mount/secure motherboard, optical drive and FDD.
- ④ Paper Washers: Use this washer with 3 ϕ screws and motherboard mounting studs for electrical insulation.

◆ Connector/Cable



- ① Power LED: Be sure of the polarity. Refer to your motherboard manual before connecting the cable. (LCD-equipped models do not have this cable.)



- ② HDD LED: Be sure of the polarity. Refer to your motherboard manual before connecting the cable.



- ③ Power SW: This switch has no polarity. (It doesn't matter which way you connect it to the motherboard.)



- ④ Reset SW: This switch has no polarity.

※ On the LED connector, the pin marked with triangle (▲) is positive.



- ⑤ Fan Power Connector: This is to be connected to the 3-pin connector of the pre-installed case fan. (LCD-equipped model only)



- ⑥ 4-pin Power Connector: Connect this to power supply. (LCD-equipped model only)

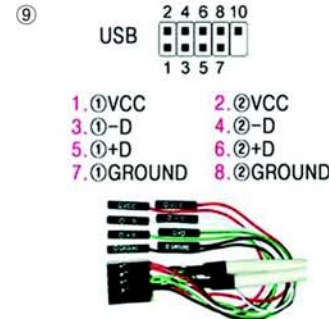


- ⑦ Thermal Probe: Place this sensor to the desired location to obtain temperature inside the case. (This sensor can be placed on CPU core or radiator.)



- ⑧ Thermal Probe (thick type): This sensor cannot be placed on CPU core or radiator due to its higher thickness.

※ The type of the thermal probe varies with different models. Be sure which type your thermal probe is before start installing.



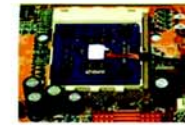
※ If the USB/Audio pin layout on your motherboard is different from above diagram, you have to connect each cable to the corresponding pin connector on the motherboard. Consult your motherboard manual for pin layout information.

※ Separate cables may be unavailable in some models.

◆ Thermal Probe Positioning Examples



SOCKET 478



SOCKET 370 / 462



HDD



GPU (THICK TYPE)



GPU (THICK TYPE)



HDD (THICK TYPE)

- ☞ Do not place the sensor directly on the CPU core.
- ☞ The sensor/wire must not affect the mounting condition of the heatsink base on CPU. Tilted heatsink means poor thermal contact and this can do a serious damage to CPU.
- ☞ If there is a heatsink mount, the wire must be placed under the heatsink mount to avoid being disconnected.
- ☞ Be careful not to place the thick type thermal probe near CPU core.

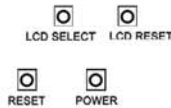
◆ Specifications and improvements in the design of our PC case are subject to change without any prior notice.

◆ Warranty void when:

- Damage is caused by user's fault or natural disaster.
- Damage is caused by modifying the product or by using the product in improper applications

◆ For detailed information and support, please visit our website (<http://www.3rsys.com>).

< LCD Functions >

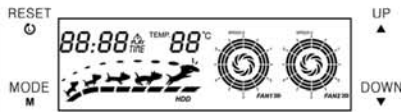


(Functions)

- ☞ 1- channel Temperature Monitor
- ☞ 1- channel Fan Speed Control
- ☞ Auto Fan Speed Control
 - 40°C : Low
 - 50°C : Mid
 - 60°C : High
- ☞ Immediate Visual Indication of Fan/HDD Operation

(Buttons)

- ☞ LCD RESET : Resets to default settings.
- ☞ LCD SELECT : Switches fan speed from Low to Mid to High
- ☞ POWER SW : System Power Switch
- ☞ RESET SW : System Reset Switch



(Functions)

- ☞ 1- channel Temperature Monitor
- ☞ 1- channel Fan Speed Control
- ☞ 6- level fan speed control (Manual)
- ☞ Auto Fan Speed Control
 - 40°C : Low
 - 50°C : Mid
 - 60°C : High
- ☞ Immediate Visual Indication of Fan/HDD Operation
- ☞ Displays system running time.

(Buttons)

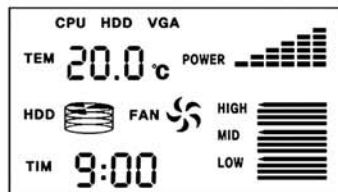
- ☞ RESET : Resets to default settings.
- ☞ MODE : Switches fan control channels
- ☞ UP : Increases fan speed. (level1 → level 6 → auto)
- ☞ DOWN : Decreases fan speed. (level 6 → level1 → auto)

(Functions)

- ☞ 3- channel Temperature Monitor - (CPU/HDD/VGA)
- ☞ Fan Speed Control
- ☞ Auto Fan Speed Control
 - 40°C below : Low
 - 41°C~60°C : Mid
 - 60°C over : High
- ☞ Immediate Visual Indication of Fan/HDD Operation and Power Consumption Level
- ☞ Time Display

(Buttons)

- ☞ RESET : Resets to default settings.
- ☞ MODE : Switches channels for temperature display(CPU/HDD/VGA)
- ☞ SET : Time Setting and Others
- ☞ UP AUTO : Changes fan speed. (Low->Mid->High->Auto)



<How To Fit The Optical Disk Drive Tray Cover To Your Case>



1.Pull out the tray from Optical Disk Drive (ODD) and remove the existing cover. [Use small pin or clip to pull out the tray. Remove the existing plastic cover by pulling it up using both hands.]



2.Remove the front panel of the case.



3.Insert the ODD into 5.25" drive bay and put the front panel back to the chassis.



4.Adjust the position of ODD in the drive bay so that the eject button of ODD contacts tightly against the button on the front panel. If the position is set, fix the ODD to the bay using screws as shown in the left picture. Press the eject button several times to check the contact condition of the buttons.



5.Peel off the cover film from the supplied tray cover and stick the tray cover on the ODD tray carefully. Even slight misplacement of the tray cover can hinder the smooth movement of the tray. Take good caution.

