



M-STATION HT-1000 MANUAL

◆Accessories



Manual



Screws



ODD Cover



PC Speaker



iMon Remote Controller

1. Board Holder : Install just as many as required, assemble it using the insulation washer(red one) included.
2. Screw(3.5 φ) : Screws to fix various types of slot card, HD and Power Supply.
3. Screw(3 φ) : Screws to fix the main board, the CD-ROM and the FDD.
4. Insulation washer : Used along with a 3 φ screw and the boardholder in order to prevent insulation.

◆How to connect the cable



1. HDD LED : Refer to the manual and install it while obeying the polarities : +, -



2. Power SW : Connect M/B Power. GND Cable to Power SW terminal.



3. Reset SW : No polarity specified. Can mount it regardless of wiring.



4. Fan Power Supply connector : Mount it with the 3-pin fan provided in the case. (Only available for the LCD products.)



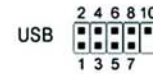
5. 4-pin Power Supply connector : Connect it to the power supply. (Only available for the LCD product.)



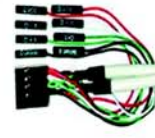
6. Temperature sensor(Retina sensor) : Should be mounted in an appropriate place to measure the internal temperature of the case. (Can't equip with the core or heat sink)

※ In case of LED, the terminal with the '▲' mark is '+'.

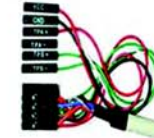
◆How to connect the IEEE1394 / Audio Card Rader



1. ①VCC
2. ②VCC
3. ①-D
4. ②-D
5. ①+D
6. ②+D
7. ①GROUND
8. ②GROUND



1. TPA+
2. TPA-
5. TPB+
6. TPB-
7. VCC (or 8)
0. GND (or 3, 4)



1. MIC-IN
2. GND
3. MIC-BIAS
5. Spkout R
6. Return R
9. Spkout L
0. Return L



1. VCC1
3. USB1-
5. USB1+
7. GND1



- ※ If the main board socket is not standard as shown in the figure, connect the divided terminals of the cable by referring to the description of terminals give in the main board manual.
- ※ The divided cables may not exist depending on products.

◆ Sample case of mounting the temperature sensor



VGA (Retina Sensor)



HDD (Retina Sensor)

- ☞ Don't ever install the temperature sensor above the core.
- ☞ If the cooler and the mounting area is level with respect to each other due to the wiring of the sensor, the device may get damaged.
- ☞ If the cooler guide exists, the wire may get clamped can cut off. So, always make sure to slide and insert it below the guide.
- ☞ In case of retina sensor, it is impossible to install it near the core. Please, keep this in mind.

◆ A case manufactured by 3R SYSTEM CO., LTD. is subject to the change in its design or structure without a prior notice in order to improve the product quality and to resolve problems.

◆ Any troubles arising from the customer's misdemeanor or natural calamity should be dealt in a paid service. Any trouble arising from an arbitrary modification or remodeling of the product for use should be dealt in a paid service.

◆ For the detailed information on the A/S or inquiry about customer support, please refer to the homepage of 3R SYSTEM at (<http://www.3rsys.com>).

◆ Customer support : 82-2-2027-2555 FAX : 82-2-2027-2088 e-mail : support@3rsys.com

< LCD MANUAL >



1. (1ch) Auto temperature measuring function <the range of temperature measurement : 0~99℃>
2. (3ch) Fan control function <low speed - mid speed - high speed>
3. Auto measurement of CPU usage <0 ~ 100%>
4. Auto measurement of audible frequencies <100R - 10K>
5. Auto display of month, date, hour, & min.

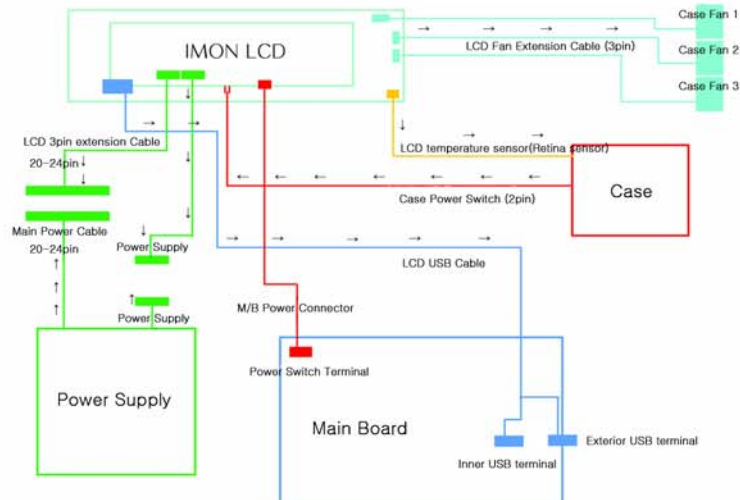


(It automatically measured and displays the month, date, hour & min set by the computer.)

6. Remote control for keyboard and mouse functions.
7. Displaying the name of program that is running <text slide function>
8. Equalizer function <responding to every sound that the computer makes>

(Descriptions of buttons)

- Changing the fan control channel <1ch-2ch-3ch>
- Initializing the LCD setting
- Accelerating the fan control <OFF-low-mid-high>
- Decelerating the fan control <high-mid-low-OFF>



<How to install an ODD>



1. You should take out the tray of ODD to be installed on the case.
Insert a clip into the hole below the tray then the tray will be slid out.
2. Lift the cover located on the front of the tray that has been slid out using your both hands as if you are pulling it. Then the convert will be removed.
3. After attaching the aluminum ODD cover provided in the case onto the removed ODD tray, install it on a 5.25" bay.

<How to remove the upper plate>



1. Release the screw in the marked area of the figure.
(right side : 2 units, left side : 2 units)
2. Push it into the direction specified in the figure to remove it.

